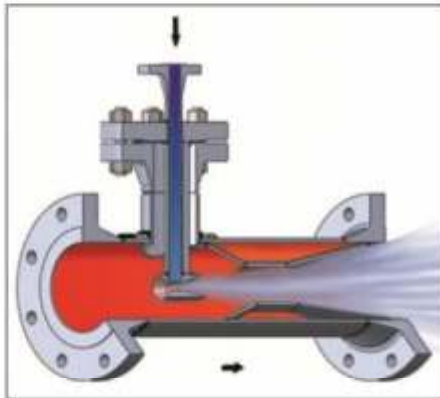




# Desuperheaters



Double Venturi Desuperheater



MODEL NO: DVD

## Applications

Steam is quite often throttled and superheated for its efficient distribution. To maximise its heat transfer properties its steam temperature needs to be brought down as close to saturation as possible. Bomafa Desuperheaters are designed, manufactured and built to reduce the temperature of the superheated steam accurately for optimal heat transfer and efficiency.

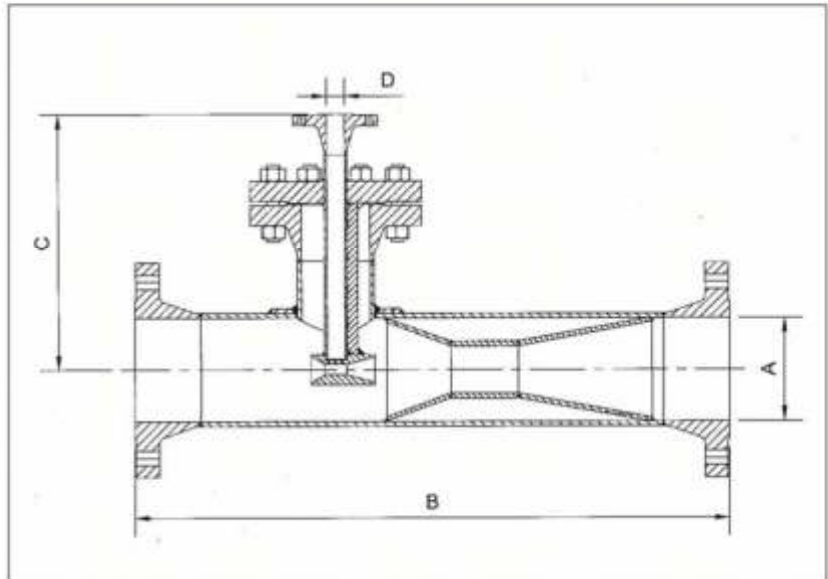
## Benefits

- Detailed steam system knowledge is applied for design and sizing.
- Improved heat transfer.
- Continuous process performance.

## Key highlights

- Ideally suited when high pressure water is unavailable.
- Required water pressure can be about 1 kg/cm<sup>2</sup>(g) over the steam pressure.
- Would perform even if the water pressure is same as the steam operating pressure.
- In this configuration, the water is piped right into the Venturi Nozzle which does all the work of atomizing the water.
- Absolutely no moving parts.
- Negligible pressure drop.
- Venturi Nozzle has a converging, stabilizing and a diverging configuration.
- Can be installed in vertical and horizontal direction.
- Rangeability: 12:1
- Creates very high velocity and turbulence which assists in instantaneous evaporation of the injected water droplets.
- Deployed where atomizing steam is not available.
- Operates successfully at quite low velocities of the steam flow.
- Unit incorporates a thermal sleeve/ liner.
- Higher turndown as compared to a Single Venturi Desuperheater and avoids thermal shock/ pipe impingement on the main pipe walls.
- Flanged / Butt-weld end connections are available.





Desuperheater (size in mm)	Main Steam Pipe (size in mm)
80-150	100-200
200-300	200-350
350-450	350-500
450-500	500-600

Dimensions (size in mm)			
A	B	C	D
80	1000	400	15, 20
100	1000	425	15, 20, 25
150	1000	475	15, 20, 25
200	1200	550	15, 20, 25, 40
250	1200	600	15, 20, 25, 40
300	1400	650	15, 20, 25, 40
350	1400	700	15, 20, 25, 40
400	1600	750	15, 20, 25, 40
450	1600	800	15, 20, 25, 40, 50
500	1800	850	15, 20, 25, 40, 50
550	1800	900	15, 20, 25, 40, 50
600	1800	950	15, 20, 25, 40, 50

*Bomafa is a leading global supplier of Severe Service Valves and products that improves productivity and quality in Utility and Process Industries. For the closest location and contact, visit our website:  
[www.bomafa-india.com](http://www.bomafa-india.com)*



An ISO:2008 / ISO 14001:2004 & OHSAS 18001:2007 certified company

**Notes:-**

- Material of construction:
  - Desuperheater Pipe: SA 106 Gr. B, SA 335 P11, SA 335 P22, SA 335 P91.
  - Thermal Sleeve/ Liner: SA 106 Gr. B, SA 335 P11, SA 335 P22, SA 335 P91.
  - Nozzle: AISI SS 304/ 316/ DIN 1.4122.
  - Injection Water Pipe: SA 106 Gr. B, SA 335 P11, SA 335 P22, SA 335 P91.
  - Flanges: SA 105, SA 182 F11, SA 182 F22, SA 182 F91.
- Dimensions can be engineered to fit existing piping/ flange requirements.
- Dimensions are subject to change without notice.
- For higher sizes consult factory.

**Contact us:**

**BOMAF A Special Valve Solutions Private Limited**

Office:  
A 606 / 607 Safal Solitaire, New YMCA Club, Besides Divya Bhaskar , S.G. Highway, Ahmedabad - 380 015.  
Ph.: +91 79 40075613 / 40083825/26/27

Works:  
Plot No. 285/2, Panchratna Estaa, Nr . Ramol Bridge, Ahmedaba -382445 - India.  
Ph. : +91 96876 64036 / 37 E-mail: [info@bomafa-india.com](mailto:info@bomafa-india.com)