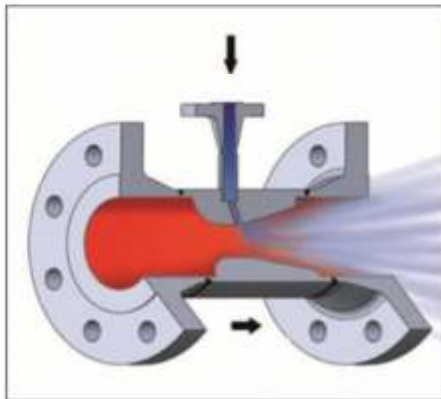
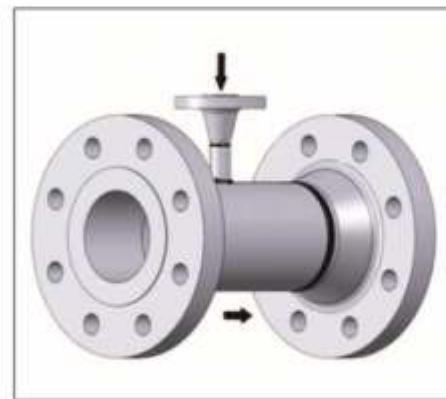


Desuperheaters



Full Venturi Desuperheater



MODEL NO: FVD

Applications

Steam is quite often throttled and superheated for its efficient distribution. To maximise its heat transfer properties its steam temperature needs to be brought down as close to saturation as possible. Bomafa Desuperheaters are designed, manufactured and built to reduce the temperature of the superheated steam accurately for optimal heat transfer and efficiency.

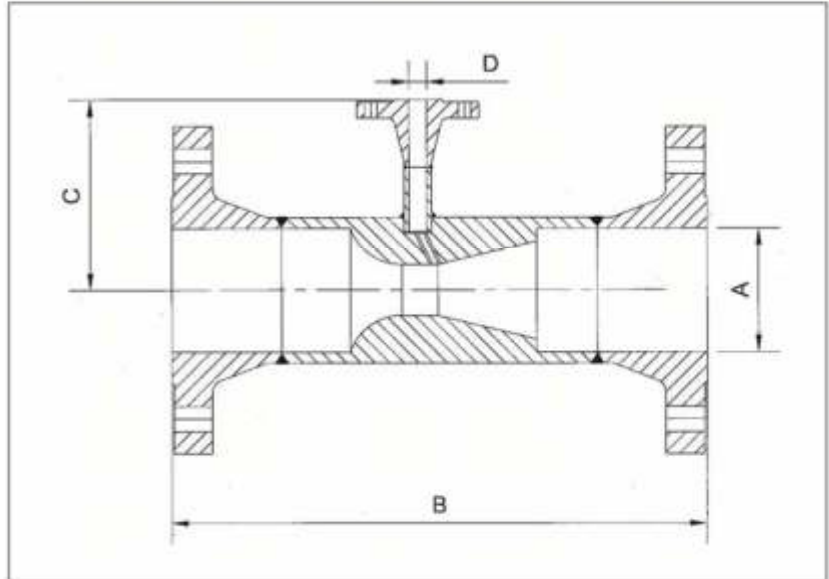
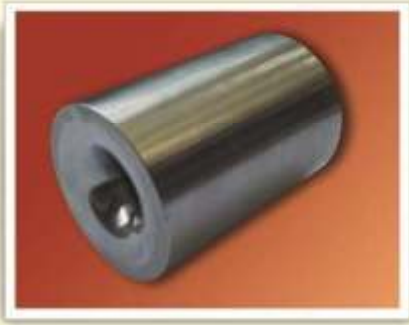
Benefits

- Detailed steam system knowledge is applied for design and sizing.
- Improved heat transfer.
- Continuous process performance.

Key highlights

- Unit is ideally suited when high pressure water is unavailable.
- Required water pressure can be about 1 kg/cm²(g) over the steam pressure.
- Would perform even if the water pressure is same as the steam operating pressure.
- In this configuration, the water is piped right into the Venturi Nozzle which does all the work of atomizing the water.
- Absolutely no moving parts.
- Negligible pressure drop.
- The unit has a converging, stabilizing and a diverging configuration.
- Can be installed in vertical and horizontal direction.
- Rangeability: 6:1
- Creates very high velocity and turbulence which assists in instantaneous evaporation of the injected water droplets.
- Deployed where atomizing steam is not available.
- Operates successfully at quite low velocities of the steam flow.
- Consists of a full venturi design, which is normally made from forged steel material.
- No moving parts & no pipe liners in the construction.
- Custom designed for small and medium sizes.
- Flanged / Butt-weld end connections are available.





Bomafa is a leading global supplier of Severe Service Valves and products that improves productivity and quality in Utility and Process Industries. For the closest location and contact, visit our website: www.bomafa-india.com



Dimensions (size in mm)			
A	B	C	D
15	300	150	15
20	300	150	15
25	350	150	15
40	400	200	15
50	400	200	15
80	450	250	15
100	450	250	15

Notes:-

- Material of construction:
 - Desuperheater Body: A 105, A 182 F11, A 182 F22, A 182 F91
 - Venturi: A 105, A 182 F11, A 182 F22, A 182 F91
 - Injection Water Pipe: SA 106 Gr. B, SA 335 P11, SA 335 P22, SA 335 P91
 - Flanges: SA 105, SA 182 F11, SA 182 F22, SA 182 F91.
- Dimensions can be engineered to fit existing piping/ flange requirements
- Dimensions are subject to change without notice.
- For higher sizes consult factory.
- Different grades of material also available as an option.

Contact us:

BOMAF A Special Valve Solutions Private Limited

Office:

A 606 / 607 Safal Solitaire, New YMCA Club, Besides Divya Bhaskar , S.G. Highway, Ahmedabad - 380 015.
Ph.: +91 79 40075613 / 40083825/26/27

Works:

Plot No. 285/2, Panchratna Estae, Nr . Ramol Bridge, Ahmedaba -382445 - India.
Ph. : +91 96876 64036 / 37 E-mail: info@bomafa-india.com



An ISO:2008 / ISO 14001:2004 & OHSAS 18001:2007 certified company